

**RoboRack Half Rack Cases from Gemstar** offer MIL-STD durability and airtight protection for the most sensitive electronic components. Part of our Stronghold® line, these cases feature rotationally-molded double walls and thick corners for rugged, versatile, and dependable protection.

**Standard Features**

- Rotationally molded, double-walled durability
- Watertight, airtight and dust-proof with automatic pressure relief valve
- Meets or exceeds MIL-STD 810G and meets military LLRC standards\*
- Recessed, heavy-duty black stainless steel hardware
- Field serviceable hardware
- Spring-loaded handles
- Tongue & groove construction with gasket
- Interlocking, stackable design
- Fully removable lids that hang on the sides
- Edge wheels and an extendable pull handle
- Guaranteed Performance\*

\* See website for guarantee details, complete certifications and test procedures.

**Standard Models**

- SR0912-3U18

**Standard and Custom Options**

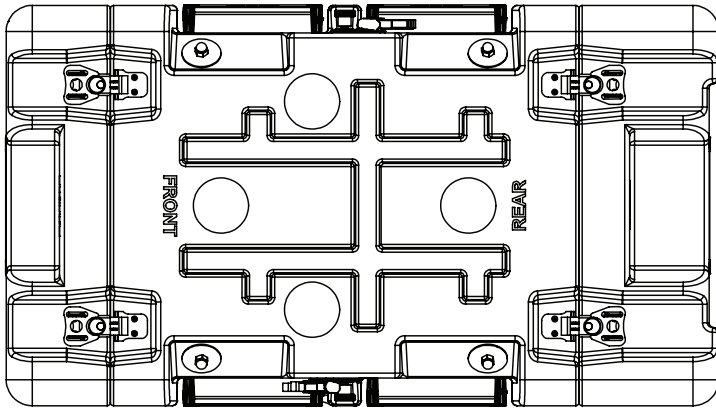
- Offering a robust selection of custom features, colors, and sizes. For more information visit [Gemstarmfg.com](http://Gemstarmfg.com), or contact your local Distributor or Sales Manager.

**Standard Color Options\*\***



\*\* Colors are approximate and are for visual purposes only.

**SR0912-3U18 Top Profile**

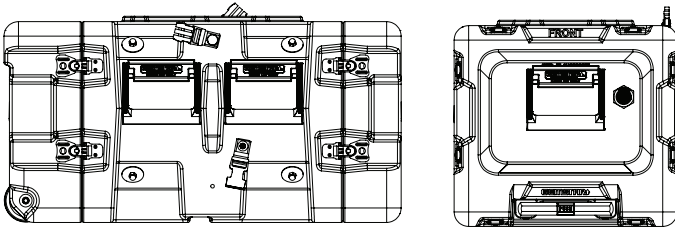


MODEL NUMBER KEY

SR0912-3U18

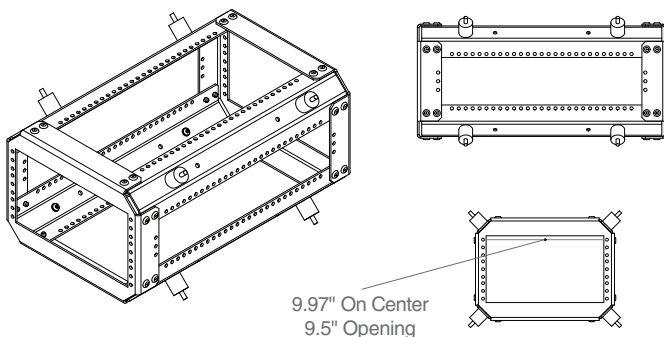
Height ———— Rack Depth  
Width ———— Rack Unit  
Model numbers refer to interior dimensions

**SR0912-3U18 Side and End Profile**



Nominal INT Dimension	24.5"L x 12.1"W x 9"H 622L x 307W x 228H mm
Front Lid Depth	2.75" 69 mm
Rear Lid Depth	3.75" 95 mm
Nominal EXT Dimension	28"L x 15.4"W x 13.7"H 711L x 391W x 347H
Rack Unit Information	3
Rack EXT Dimensions	18"L x 11.1"W x 8.3"H 457L x 282 W x 211H mm
Rack INT Dimensions	17.7"L x 9.5"W x 5.4"H 450L x 241W x 137H mm
Approx. Weight	30.1 lbs 13.7 kg
Features	<ul style="list-style-type: none"> <li>• Removable lids</li> <li>• Spring-Loaded ABS Handles (SS optional)</li> <li>• PRV</li> </ul>

**SR0912-3U18 Rack**



**3U Rack**  
Light weight aluminum rack