

RoboRack Half-Rack Cases from Gemstar offer MIL-STD durability and airtight protection for the most sensitive electronic components. Part of our Stronghold[®] line, these cases feature rotationally-molded double walls and thick corners for rugged, versatile, and dependable protection.

Standard Features

- Rotationally molded, double-walled durability
- Watertight, airtight and dust-proof with automatic pressure relief valve
- Meets or exceeds MIL-STD 810G and meets military LLRC standards*
- Recessed, heavy-duty black stainless steel hardware
- Field serviceable hardware
- Spring-loaded handles
- Tongue & groove construction with gasket
- Interlocking, stackable design
- Fully removable lids that hang on the sides
- Edge wheels and an extendable pull handle
- Guaranteed Performance*

* See website for guarantee details, complete certifications and test procedures.

Standard Models

- SR0912-3U18

Standard and Custom Options

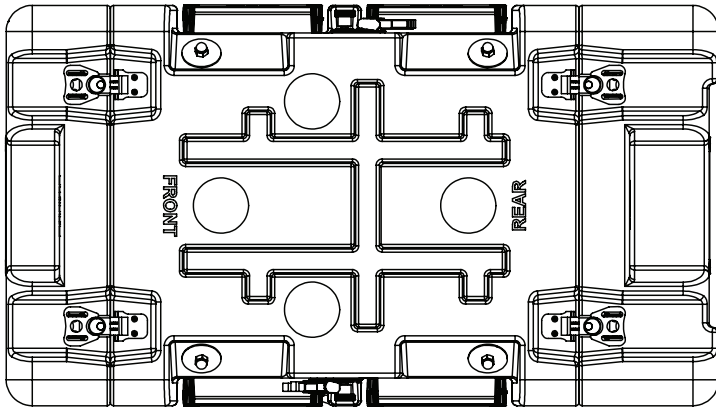
- Offering a robust selection of custom features, colors, and sizes. For more information visit Gemstarmfg.com, or contact your local Distributor or Sales Manager.

Standard Color Options**



** Colors are approximate and are for visual purposes only.

SR0912-3U18 Top Profile

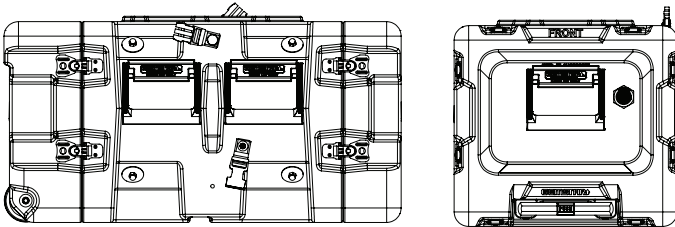


MODEL NUMBER KEY

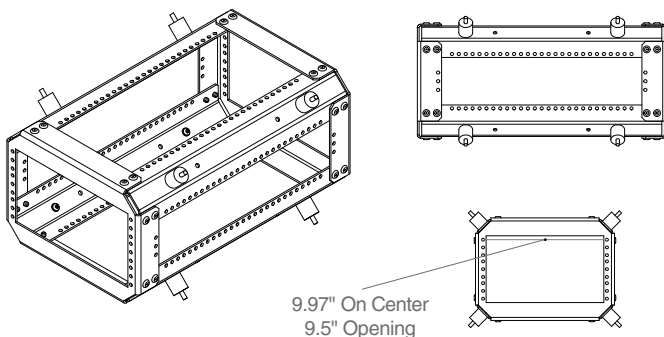
SR0912-3U18

Height ————
Width ————
Rack Depth ————
Rack Unit ————
Model numbers refer to interior dimensions

SR0912-3U18 Side and End Profile



SR0912-3U18 Rack



3U Rack
Light weight aluminum rack

Nominal INT Dimension	24"L x 12.7"W x 9.4"H 610L x 323W x 239H mm
Front Lid Depth	4" 102 mm
Rear Lid Depth	5.3" 135 mm
Nominal EXT Dimension	27.4"L x 15.4"W x 14.2"H 696L x 391W x 361H
Rack Unit Information	3
Rack EXT Dimensions	18"L x 11.1"W x 8.3"H 457L x 282 W x 211H mm
Rack INT Dimensions	17.7"L x 9.5"W x 5.4"H 450L x 241W x 137H mm
Approx. Weight	30.5 lbs 13.8 kg
Features	<ul style="list-style-type: none"> • Removable lids • Spring-Loaded ABS Handles (SS optional) • PRV