



**RoboRack Half-Rack Cases from Gemstar** offer MIL-STD durability and airtight protection for the most sensitive electronic components. Part of our Stronghold<sup>®</sup> line, these cases feature rotationally-molded double walls and thick corners for rugged, versatile, and dependable protection.

#### Standard Features

- Rotationally molded, double-walled durability
- Watertight, airtight and dust-proof with automatic pressure relief valve
- Meets or exceeds MIL-STD 810G and meets military LLRC standards\*
- Recessed, heavy-duty black stainless steel hardware
- Field serviceable hardware
- Spring-loaded handles
- Tongue & groove construction with gasket
- Interlocking, stackable design
- Fully removable lids that hang on the sides
- Edge wheels and an extendable pull handle
- Guaranteed Performance\*

\* See website for guarantee details, complete certifications and test procedures.

#### Standard Models

- SR2012-9U18

#### Standard and Custom Options

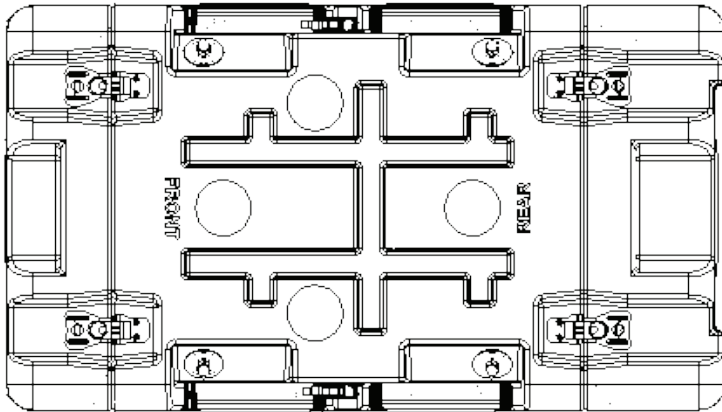
- Offering a robust selection of custom features, colors, and sizes. For more information visit [Gemstarmfg.com](http://Gemstarmfg.com), or contact your local Distributor or Sales Manager.

#### Standard Color Options\*\*



\*\* Colors are approximate and are for visual purposes only.

**SR2012-9U18 Top Profile**

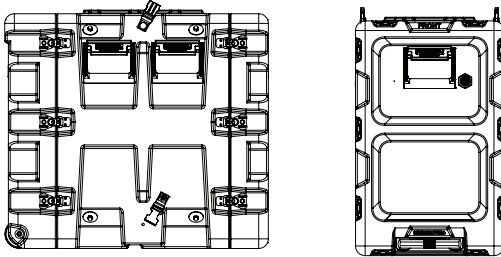


**MODEL NUMBER KEY**

**SR2012-9U18**

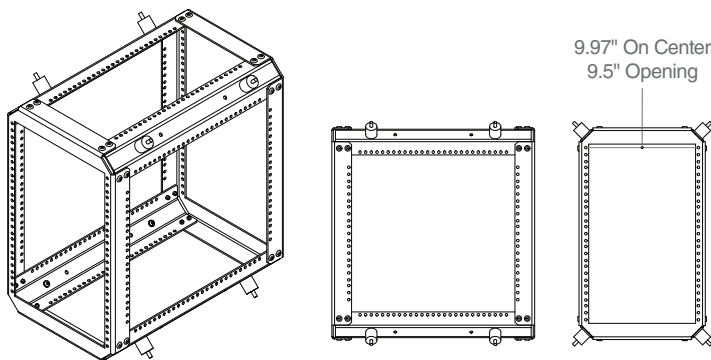
Height ———— Rack Depth  
Width ———— Rack Unit  
Model numbers refer to interior dimensions

**SR2012-9U18 Side and End Profile**



Nominal INT Dimension	24"L x 12.7"W x 19.9"H 610L x 323W x 505H mm
Front Lid Depth	4" 102 mm
Rear Lid Depth	5.4" 135 mm
Nominal EXT Dimension	27.4"L x 15.4"W x 24.8"H 696L x 391W x 630H
Rack Unit Information	9
Rack EXT Dimensions	18"L x 11.1"W x 18.7"H 457L x 282 W x 475H mm
Rack INT Dimensions	17.7"L x 9.5"W x 15.8"H 450L x 241W x 401H mm
Approx. Weight	41.5 lbs 18.8 kg
Features	<ul style="list-style-type: none"> <li>• Removable lids</li> <li>• Spring-Loaded ABS Handles (SS optional)</li> <li>• PRV</li> </ul>

**SR2012-9U18 Rack**



**9U Rack**  
Light weight aluminum rack