

**RoboRack Half-Rack Cases from Gemstar** offer MIL-STD durability and airtight protection for the most sensitive electronic components. Part of our Stronghold<sup>®</sup> line, these cases feature rotationally-molded double walls and thick corners for rugged, versatile, and dependable protection.

#### Standard Features

- Rotationally molded, double-walled durability
- Watertight, airtight and dust-proof with automatic pressure relief valve
- Meets or exceeds MIL-STD 810G and meets military LLRC standards\*
- Recessed, heavy-duty black stainless steel hardware
- Field serviceable hardware
- Spring-loaded handles
- Tongue & groove construction with gasket
- Interlocking, stackable design
- Fully removable lids that hang on the sides
- Edge wheels and an extendable pull handle
- Guaranteed Performance\*

\* See website for guarantee details, complete certifications and test procedures.

#### Standard Models

- SR1212-5U18

#### Standard and Custom Options

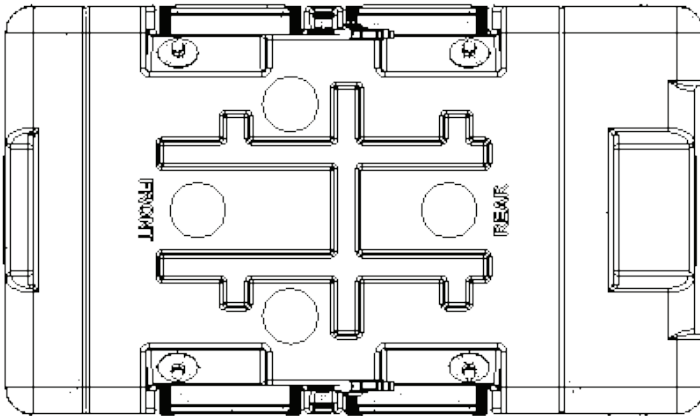
- Offering a robust selection of custom features, colors, and sizes. For more information visit [Gemstarmfg.com](http://Gemstarmfg.com), or contact your local Distributor or Sales Manager.

#### Standard Color Options\*\*



\*\* Colors are approximate and are for visual purposes only.

## SR1212-5U18 Top Profile

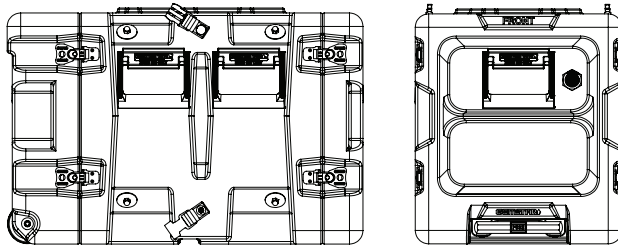


### MODEL NUMBER KEY

SR1212-5U18

Height ———— Rack Depth  
Width ———— Rack Unit  
Model numbers refer to interior dimensions

## SR1212-5U18 Side and End Profile



Nominal INT Dimension	23.5"L x 12.1"W x 12.5"H 597L x 307W x 318H mm
-----------------------	---

Front Lid Depth	1.75" 44 mm
-----------------	----------------

Rear Lid Depth	3.75" 95 mm
----------------	----------------

Nominal EXT Dimension	27"L x 15.4"W x 17.2"H 696L x 391W x 437H
-----------------------	--

Rack Unit Information	5
-----------------------	---

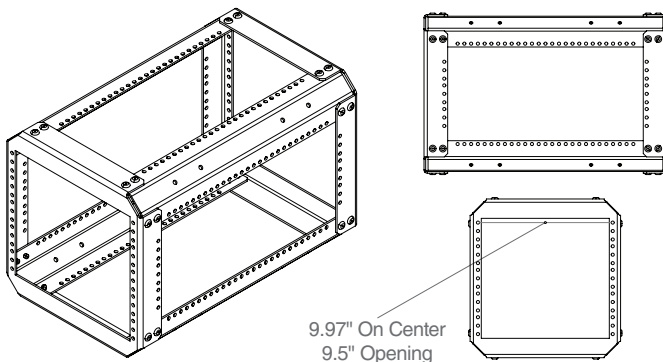
Rack EXT Dimensions	18"L x 11.1"W x 11.8"H 457L x 282 W x 300H mm
---------------------	--

Rack INT Dimensions	17.7"L x 9.5"W x 8.8"H 450L x 241W x 224H mm
---------------------	---

Approx. Weight	34.5 lbs 15.6 kg
----------------	---------------------

Features	<ul style="list-style-type: none"> <li>• Removable lids</li> <li>• Spring-Loaded ABS Handles (SS optional)</li> <li>• PRV</li> </ul>
----------	--

## SR1212-5U18 Rack



### 5U Rack

Light weight aluminum rack